

885  
AUDIO/VIDEO STEREO RECEIVER

# KR-A4020

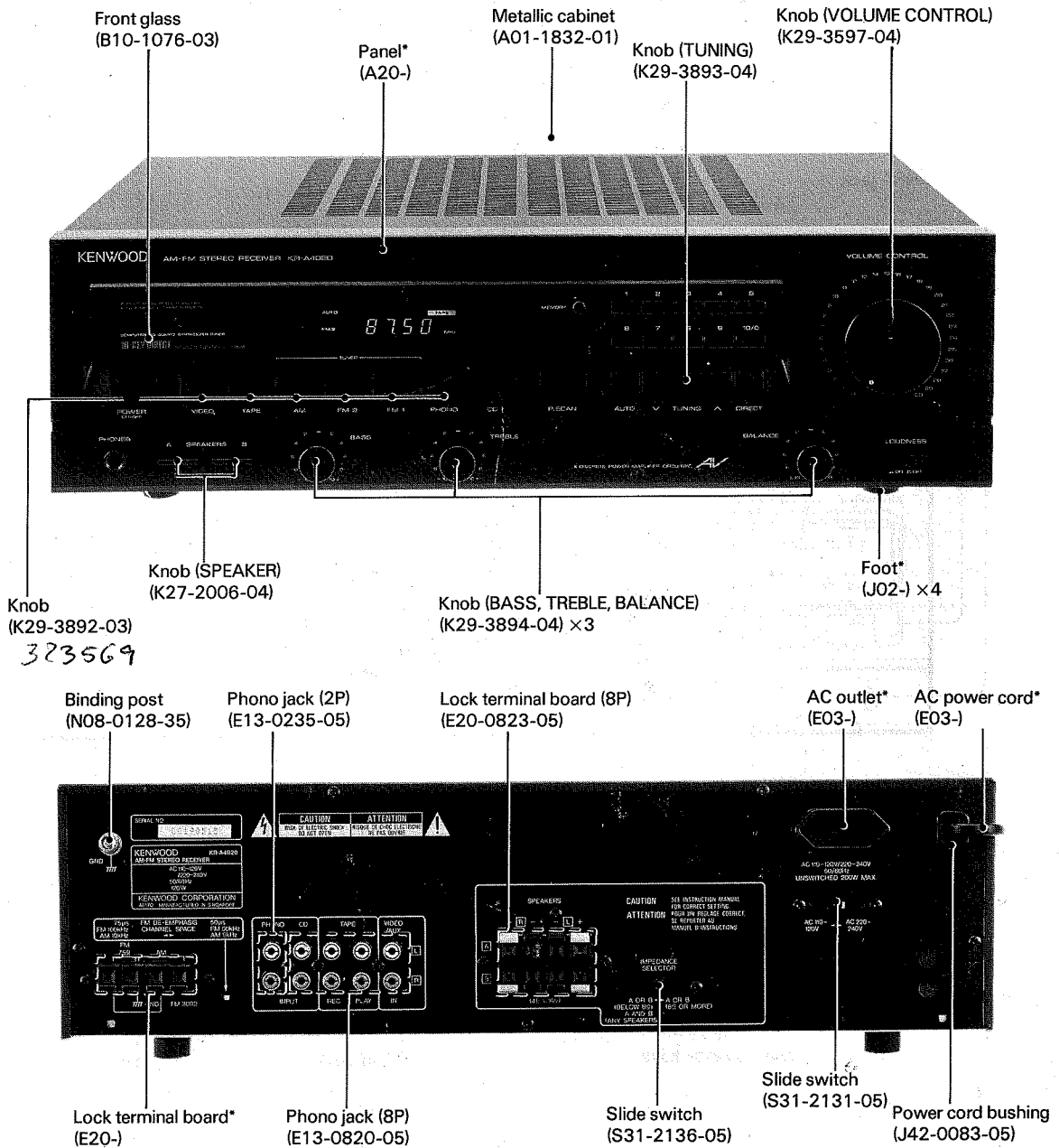
## SERVICE MANUAL

# KENWOOD

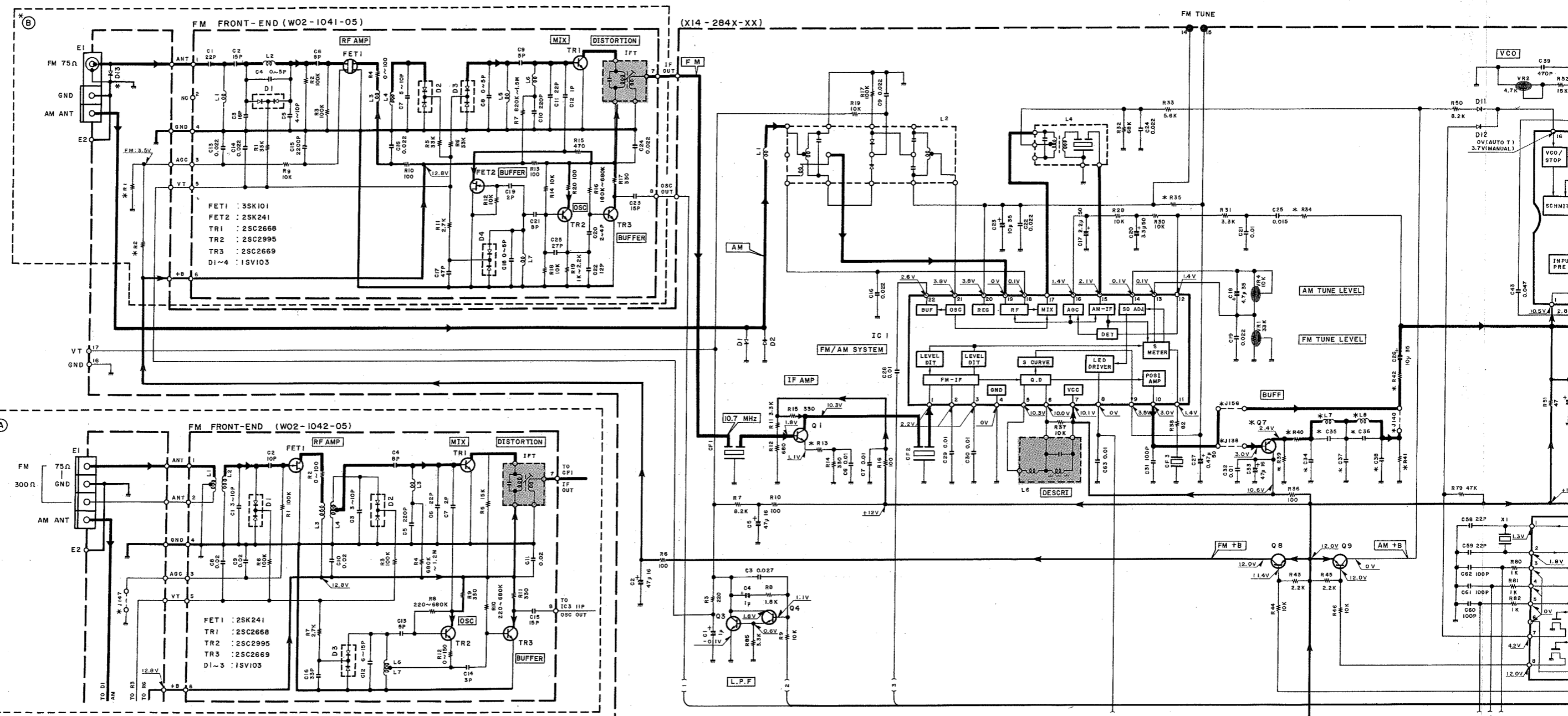
64205

©1990-3 PRINTED IN JAPAN  
B51-4138-00 (S) 3223

25K6



\* Refer to parts list on page 28.



(X14-284X-XX)

FM FRONT-END (W02-1041-05)

FM FRONT-END (W02-1042-05)

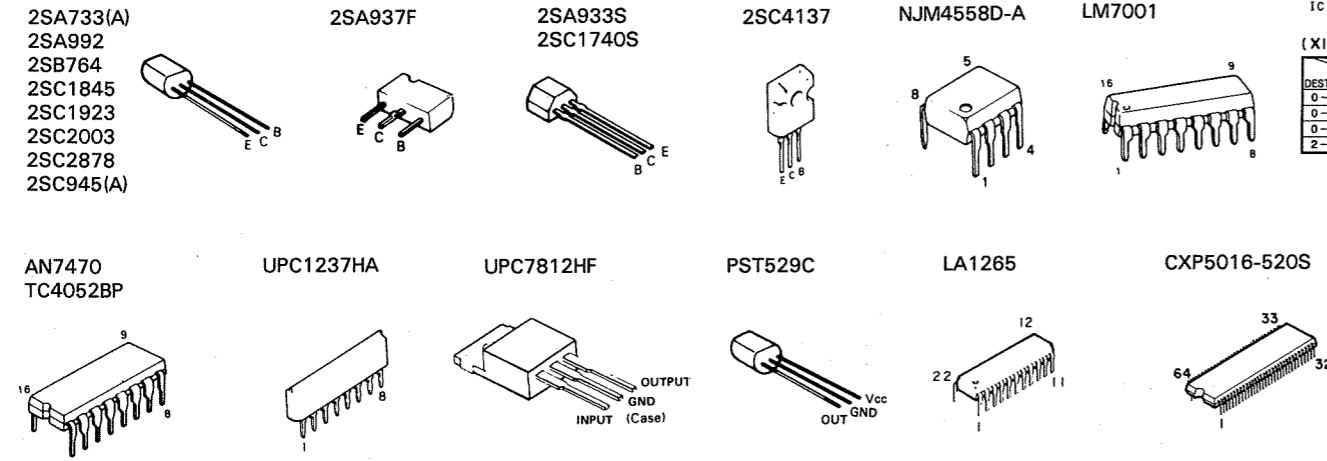
(X14-284X-XX)

FM TUNE

- IC 1 : LA1265 Q1 : 2SC1923 (R. O)
- IC 2 : AN7470 Q4 : 2SC1845 (F. E)
- IC 3 : LM7001 Q3, 7, 11, 12 : 2SC945 (A) (Q. P) or 2SC1740S (Q. R) D1, 2, 11, 12, 13 : 1SS133 or HSS104
- Q8, 9 : 2SA733 (A) (Q. P) or 2SA933S (Q. R) D10 : RD5, 1ES (B2) or HZS5, 1N (B2)

(X14-284X-XX)

DESTINATIC	R1	R2	R13	R34	R35	R39	R40	R41	R42	R59	R60	R61, 62	R63, 64	R65, 66	R67, 68	R63, 64	C34	C35	C36	C37	C38	BLOCK C	C46, 47	C49	C50, 51	C52, 53	C54, 55	C64, 65	Q7	Q11, 12		
0-10	K, P	YES	NO	J147	NO	56	36K	15K	NO	NO	NO	39K	NO	330K	3.6K	39K	NO	NO	NO	NO	NO	NO	NO	150p	NO	1.0 μ 50	NO	0.022 μ	NO	NO	NO	
0-21	M	YES	NO	J147	NO	56	36K	39K	NO	NO	NO	39K	NO	330K	3.6K	39K	1.0K	47K	NO	NO	NO	NO	YES	150p	NO	1.0 μ 50	7500p	0.015 μ	NO	NO	NO	2SC9452 or 2SC945
0-71	X	YES	NO	J147	NO	56	36K	39K	NO	NO	NO	39K	NO	330K	3.6K	39K	NO	NO	NO	NO	NO	NO	NO	150p	NO	1.0 μ 50	NO	0.015 μ	NO	NO	NO	NO
2-71	T, E	NO	YES	4.7K	10K	22	47K	39K	3.3K	2.2K	47K	47K	47K	470	NO	3.3K	3.3K	NO	NO	NO	NO	NO	NO	1000p	220p	2.2 μ 50	NO	4700p	22 μ 16	2SC1740S or 2SC945	NO	NO

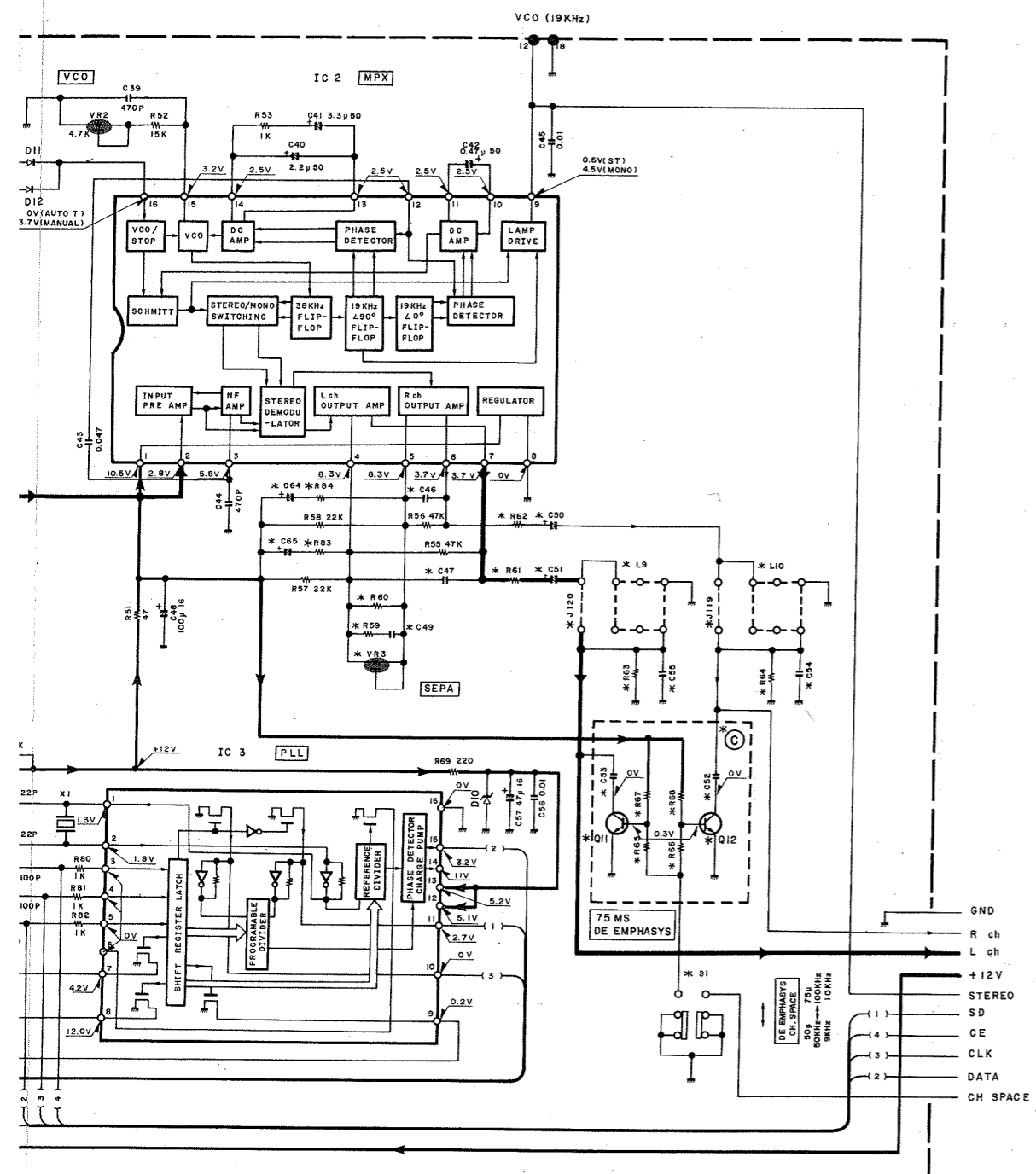


DC voltages are as measured with a high impedance voltmeter. Values may vary slightly due to variations between individual instruments or/and units.

Les tensions c.c. doivent être mesurées avec un voltmètre à haute impédance. Les valeurs peuvent différer légèrement du fait des variations inhérentes aux appareils et aux instruments de mesure individuels.

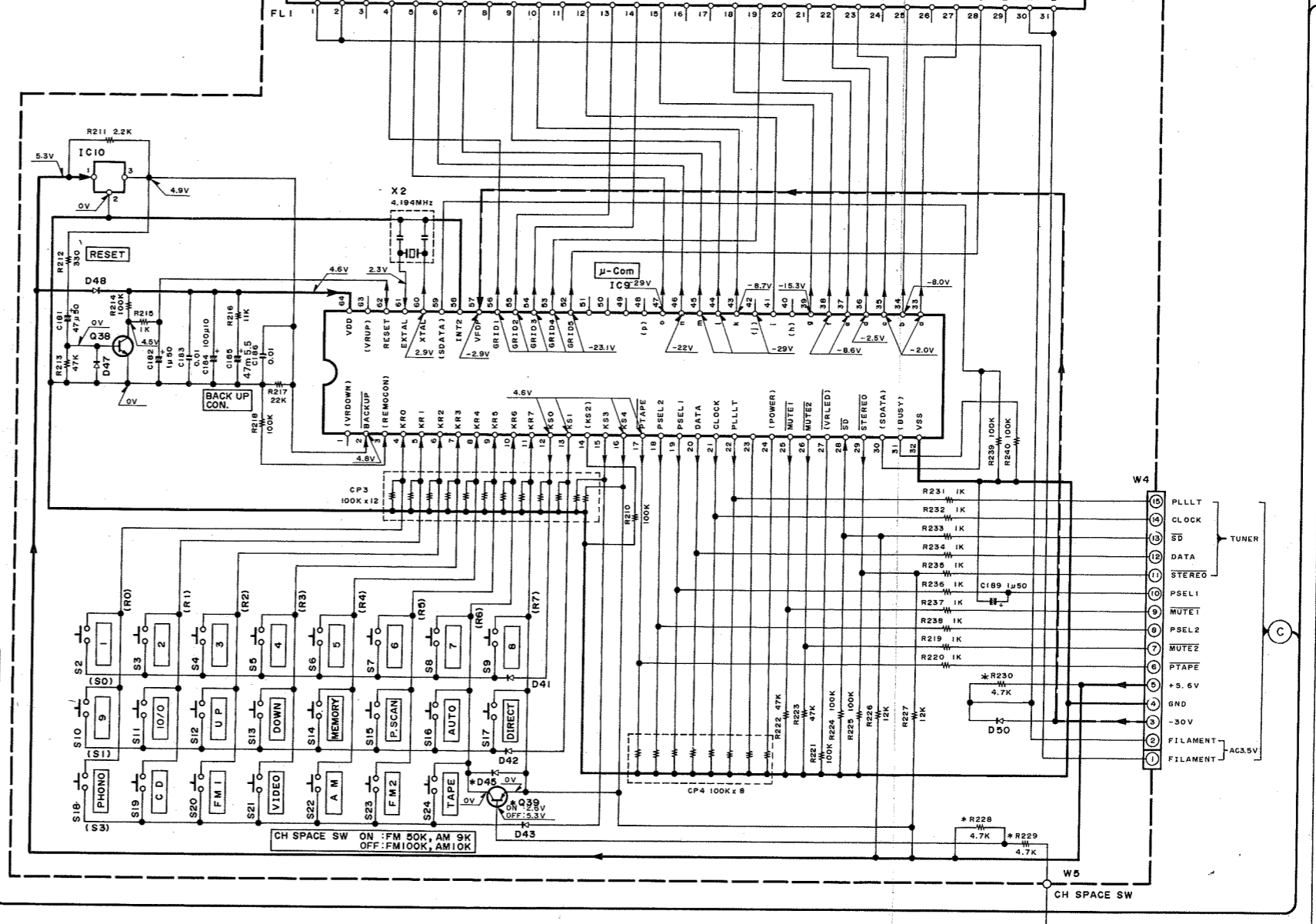
Die angegebenen Gleichspannungswerte wurden mit einem hochohmigen Spannungsmesser gemessen. Dabei schwanken die Meßwerte aufgrund von Unterschieden zwischen einzelnen Instrumenten oder Geräten u. U. geringfügig.

**CAUTION:** For continued safety, replace safety critical components only with manufacturer's recommended parts (refer to parts list). **⚠** Indicates safety critical components. To reduce the risk of electric shock, leakage-current or resistance measurements shall be carried out (exposed parts are acceptably insulated from the supply circuit) before the appliance is returned to the customer.



Q7	Q11, 12	VR3	S1	L1	L7	L8	L9, 10	J119, 120, 147, 149, 156	J138, 140, 151	J118
NO	NO	NO	NO	NO	NO	NO	NO	NO	NO	NO
NO	25C9452 or 25C1740S	NO	YES	NO	NO	NO	NO	NO	YES	NO
NO	NO	NO	NO	NO	NO	NO	NO	NO	YES	NO
1740S or 25C945	NO	220K	NO	1 μH	5.6mH	6.8mH	YES	NO	YES	NO

- (X14) (D/6)
- IC9 : CXP5016-520S
  - IC10 : PST529C
  - Q38 : 2SC1740S (Q, R) or 2SC945 (A) (Q, P)
  - Q39 : 2SA937F
  - D41~43, 45 : HSS104 or ISS133
  - 47, 48 : RD10ES (B) or HZS10N (B)
  - FL1 : CPF54256R



- (D)
- (C)
- (B)
- (A)

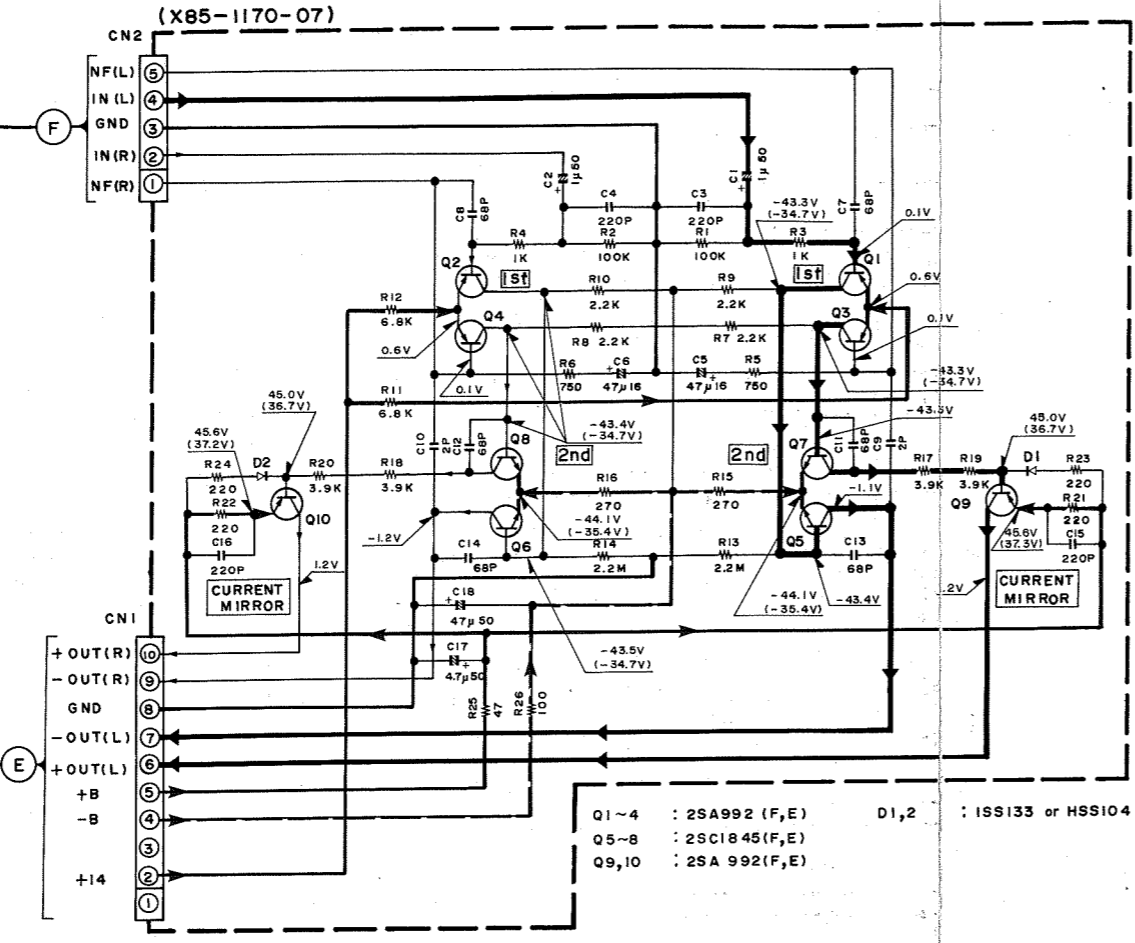
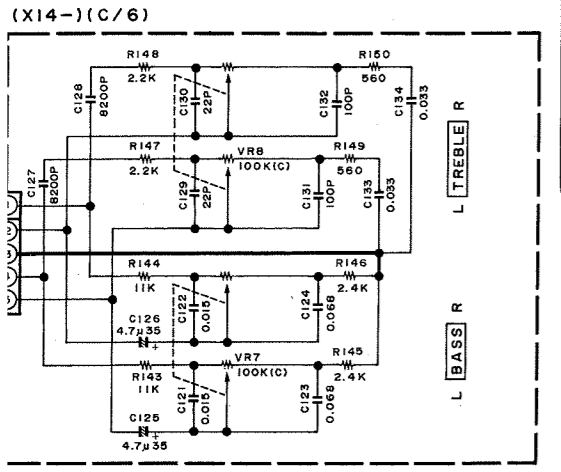
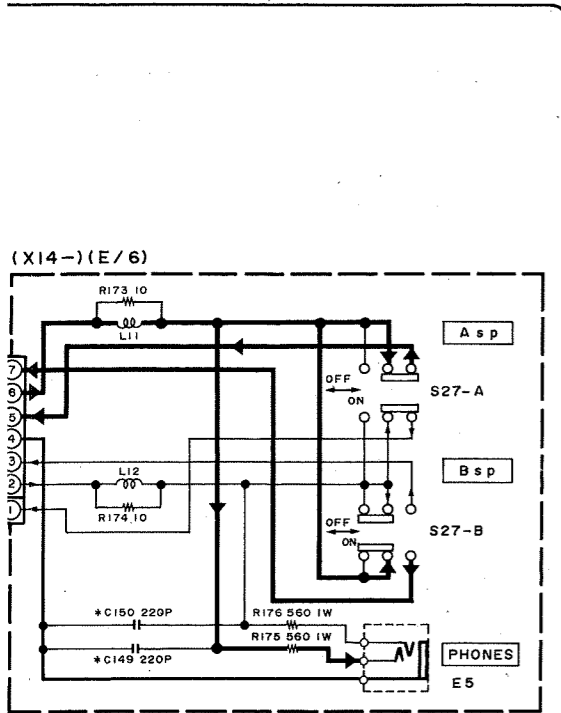
**KR-A40**  
**KENWOOD**

DC voltages are as measured with a high impedance voltmeter. Values may vary slightly due to variations between individual instruments or/and units.

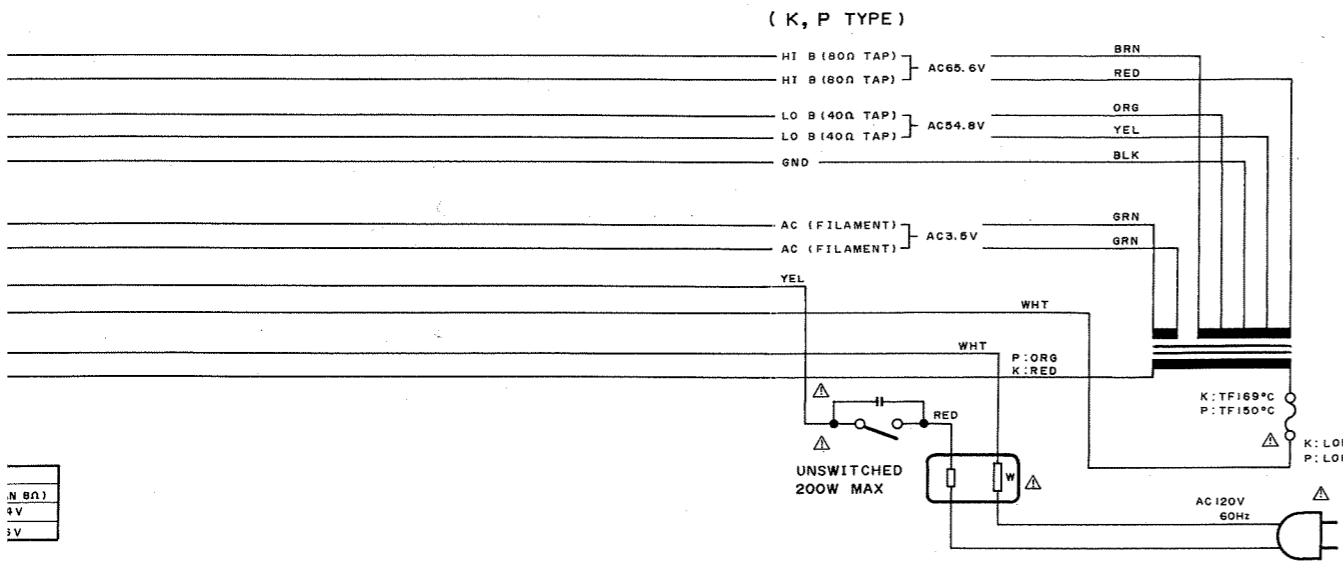
Les tensions c.c. doivent être mesurées avec un voltmètre à haute impédance. Les valeurs peuvent différer légèrement du fait des variations inhérentes aux appareils et aux instruments de mesure individuels.

Die angegebenen Gleichspannungswerte wurden mit einem hochohmigen Spannungsmesser gemessen. Dabei schwanken die Meßwerte aufgrund von Unterschieden zwischen einzelnen Instrumenten oder Geräten u. U. geringfügig.

**CAUTION:** For continued safety, replace safety critical components only with manufacturer's recommended parts (refer to parts list). **⚠** Indicates safety critical components. To reduce the risk of electric shock, leakage-current or resistance measurements shall be carried out (exposed parts are acceptably insulated from the supply circuit) before the appliance is returned to the customer.

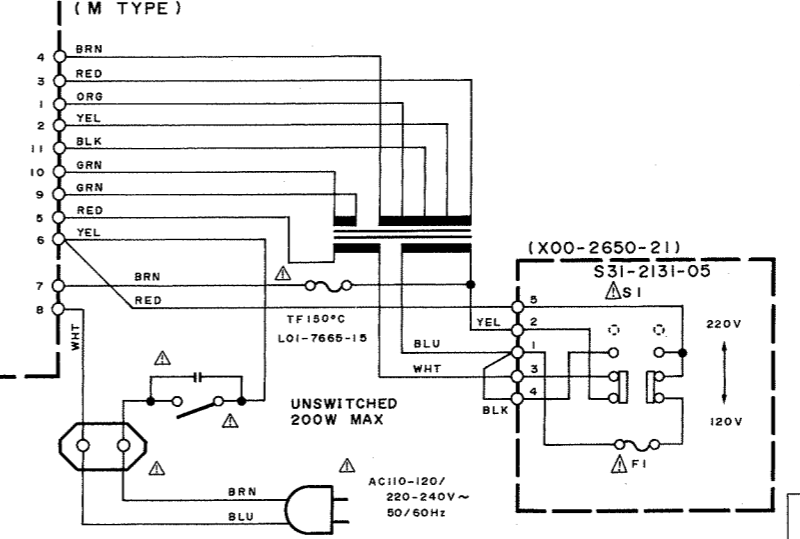
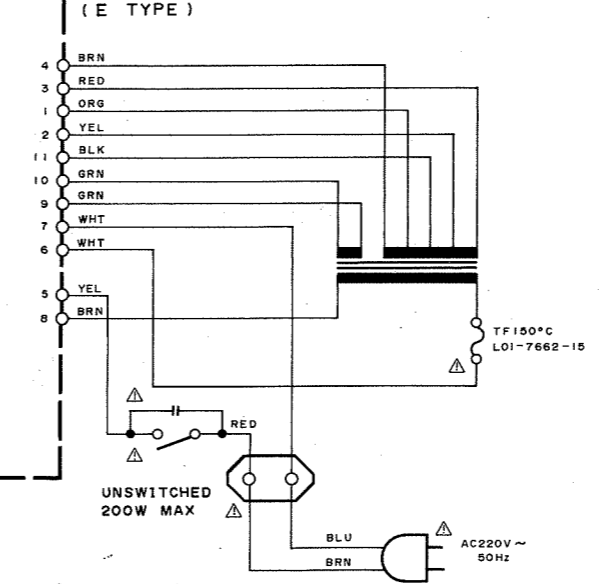
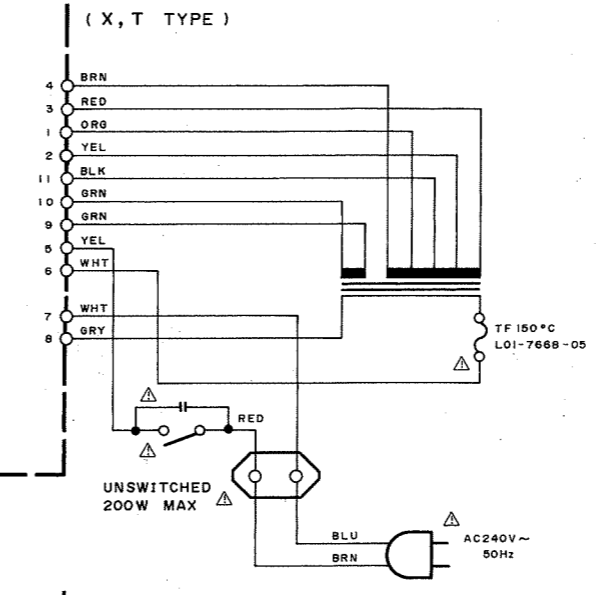


- Q1~4 : 2SA992 (F,E)
- Q5~8 : 2SC1845 (F,E)
- Q9,10 : 2SA 992 (F,E)
- D1,2 : ISS133 or HSS104



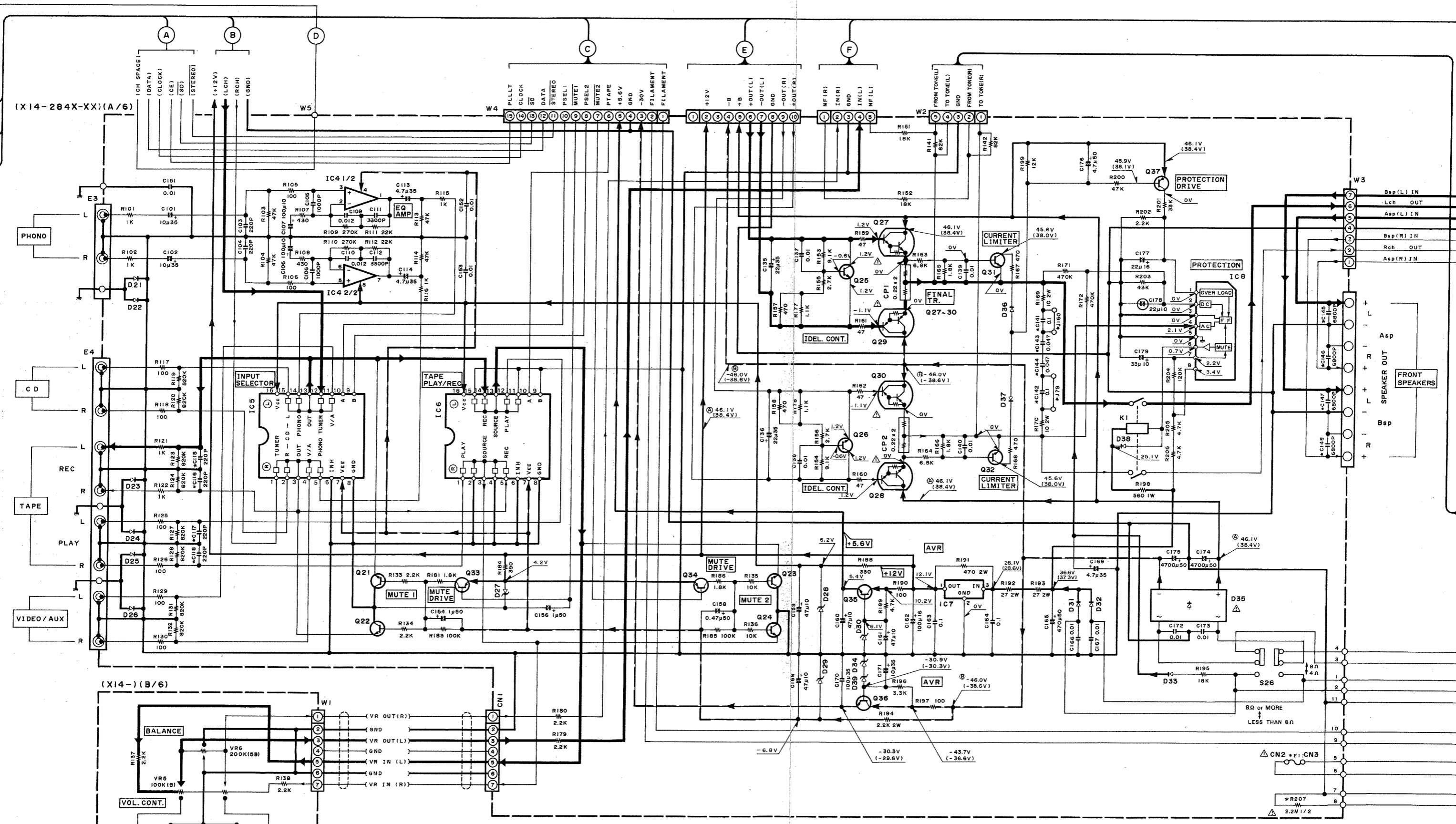
\* X14-284X-XX

DESTINATION	K,P			
	0-10	0-21	0-71	2-71
R207	YES	NO	NO	NO
R228, 229	NO	YES	NO	NO
R230	YES	NO	NO	NO
C115~118	NO	NO	NO	YES
C141, 142	NO	NO	NO	0.1
C143, 144	0.047	0.047	0.047	0.1
C145~148	NO	NO	NO	YES
C149, 150	NO	NO	NO	YES
D45	NO	NO	NO	YES
Q39	NO	YES	NO	NO
F1 250V	3A	T1.25A	T1.25A	T1.25A
J79, 150	YES	YES	YES	NO



Y05-2470-11

**KR-A4020**  
**KENWOOD**



- (X14-284X-XX) (A/6)
- IC4 : NJM4568D-A
  - IC5, 6 : TC4052BP
  - IC7 : UPC7812HF
  - IC8 : UPC1237HA
  - Q21-24 : 2SC2078 (B)
  - Q25, 26 : 2SC4137 (V, W)
  - Q27, 28 : 2SD2255+5
  - Q29, 30 : 2SB1493+5
  - Q31, 32 : 2SC1845 (F, E)
  - Q33, 34, 37 : 2SA733 (A) (Q, P) or 2SA933S (Q, R)
  - Q35 : 2SC2003 (L, K)
  - Q36 : 2SB764
  - D21-26, 36, 37 : HSS104 or ISS131
  - D27 : HZS3.9N (B2) or RD3.9ES (B2)
  - D28, 30 : HZS6.2N (B2) or RD6.2ES (B2)
  - D29 : HZS6.8 (B2)N or RD6.8ES (B2)
  - D31, 32 : S5566B
  - D33, 38 : HSS104A or ISS131
  - D34 : HZS16N (B2) or RD16ES (B2)
  - D35 : RBV-402LFA
  - D39 : HZS11N (B2) or RD11ES (B2)

FINAL TR ±B

S25 (X14)	
A	46.1V
B	-46.0V